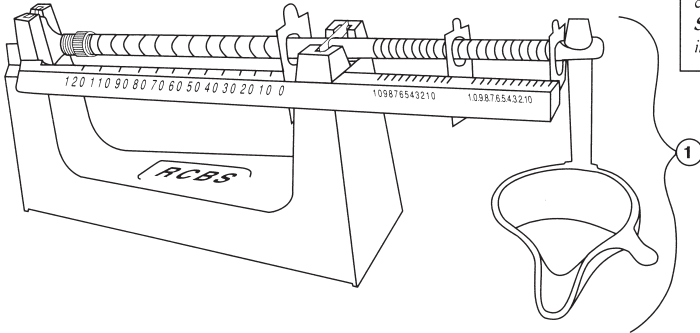


POWDER ACCESSORIES

90400 RC 130 MECHANICAL SCALE

Key	Part #	Description
1	189005	Pan & Hanger Assembly

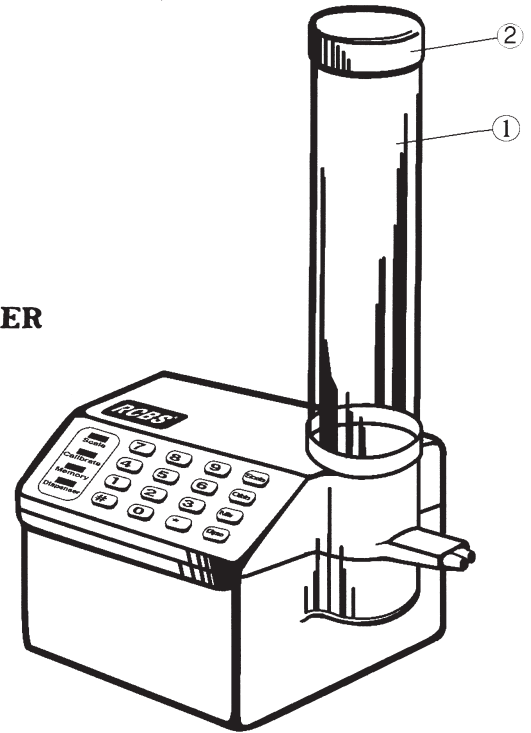
NOTE: Only the part listed is available. If other parts require replacement, contact RCBS Customer Service for further information.



98999 POWDERMASTER ELECTRONIC POWDER DISPENSER

Key	Part #	Description
1	55005	Powder Hopper
2	186045	Powder Hopper Cap

Note: Unit must be returned to manufacturer for all other parts. Call RCBS Customer Service for return information.



98901 UPM MICROMETER ADJUSTMENT SCREW

Key	Part #	Description
1	98905	Thimble
2	81004	Setscrew (10-32x3/16 Cup Point)
3	81015	O-Ring Seal
4	98903	Body
5	98906	Compensation Washes (3)
6	98904	Metering Screw, Large
6	98907	Metering Screw, Small
❖	09635	Hex Key Wrench, 3/32

❖ Not Shown

