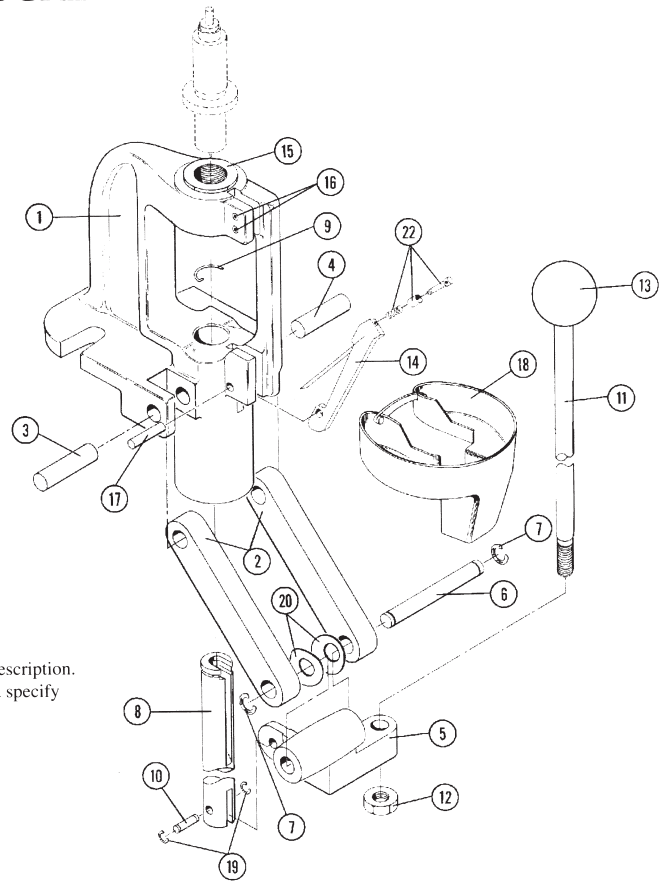


# RELOADING PRESSES



## 09366 ROCK CHUCKER PRESS & ROCK CHUCKER II PRESS

Key	Part #	Description
1	◆	Frame
2	09141*	Linkage Arm (2)
3	09127	Linkage Arm Pin, Left
4	09128	Linkage Arm Pin, Right
5	09145	Toggle Block
6	09140*	Toggle Block Pin
7	09105	Retaining Ring 1/2" (2)
8	09134	Main Ram
9	09111	Shell Holder Ram Clip Spring
10	09142	Main Ram Pin
11	09120	Handle
-	09122	Ball Handle Assembly (Includes Keys 11 & 13)
12	09136	Hex Nut 5/8"-18
13	09121	Handle Ball
14	09550	Universal Primer Arm (Includes Primer Plugs, Sleeves, Spring)
15	09138	Bushing (1 1/4-12 to 7/8-14)
16	09099	Setscrew, 10-32 x 1/4 Flat Point (2)
17	09113	Universal Primer Arm Pin
18	09114	Primer Catcher
19	09143	Retaining Ring 3/8" Small (2)
20	09144	Bow Washer 134-5-20 (2)
22	09552	Primer Plug, Sleeve & Spring, Large
22	09553	Primer Plug, Sleeve & Spring, Small



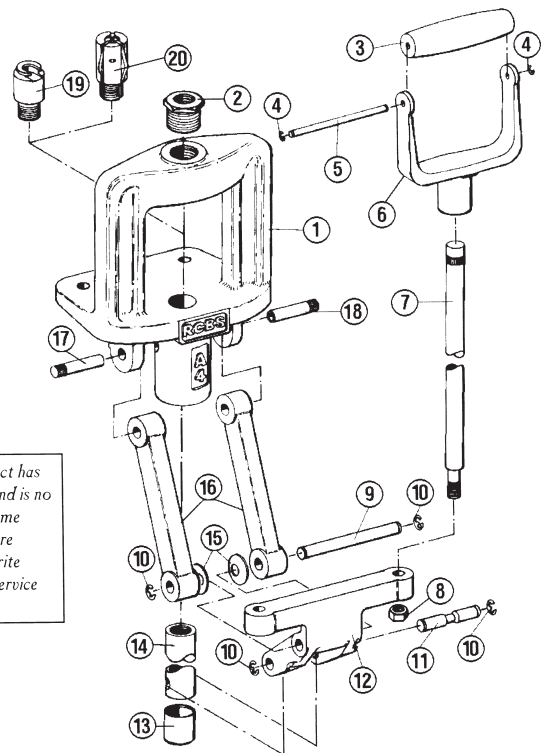
\* For RC-II only. When ordering for original Rock Chucker use Part # 55005 with complete part description. Some RC-II presses were assembled with steel links. If a replacement is required, use # 55005 and specify "Steel Link and/or Toggle Block Pin for Steel Link RC-II Press."

◆ Not available separately

## 09146 BIG MAX PRESS

Key	Part #	Description
1	◆	Frame
2	09161	Bushing 1 3/8"-12 to 7/8"-14
3	09160	Handle Grip
4	86733	Retaining Ring IRR 2000-25 (2)
5	09155	Handle Grip Pin
6	09153	Handle Grip Fork
7	09152	Handle Shaft
8	09136	Hex Nut 5/8"-18
9	09157	Toggle Block Pin
10	09105	Retaining Ring 1/2"
11	09156	Ram Pin
12	09149	Toggle Block
13	09167	Primer Catcher
14	09151	Ram
15	09144	Bow Washer (2)
16	09150	Link Arm (2)
17	09127	Link Pin, Left
18	09128	Link Pin, Right
19	09169	Shell Holder Adaptor
20	◆	Automatic Shell Holder

NOTE: This product has been discontinued and is no longer available. Some replacement parts are available. Call or write RCBS Customer Service for information.



◆ Not available separately