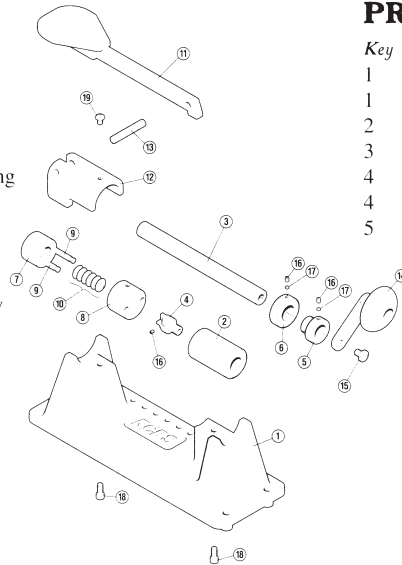




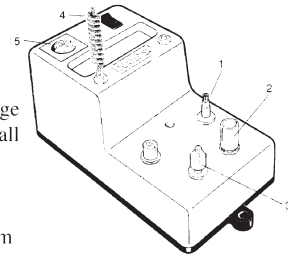
90357 TRIM PRO MANUAL CASE TRIMMER

Key	Part #	Description
1	786100	Trim Pro Base
2	98938	RCT Cutter Guide
3	09405	RCT Cutter Shaft
4	09406	RCT Cutter
5	09407	RCT Adjustment Bushing
6	09408	TP Fine Adjustment Bushing
7	786101	TP Spring Holder
8	786102	TP Compression Pin
9	786103	TP Actuating Rod (2)
10	186131	TP Disc Spring (6)
11	786122	TP Handle Lever Assembly
12	786121	TP Handle Support
13	786107	TP Handle Pin
14	98948	TP Palm Handle Assembly
15	09019	Screw, 10-32 x 1/4"
16	09409	Screw, 8-32 x 1/8 (3)
17	09410	Brass Buffer (2)
18	86624	Screw, 10-32 x 5/8" (2)
19	186144	Screw, 10-32 x 3/8"



90375 TRIM MATE CASE PREP CENTER

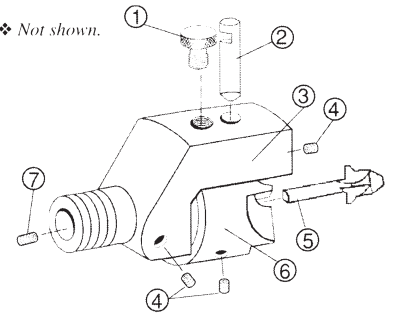
Key	Part #	Description
1	09577	Primer Pocket Brush, Large
1	09578	Primer Pocket Brush, Small
2	7-91016	Outside Deburring Tool
3	7-91013	Inside Deburring Tool
4	09327	Case Neck Brush, Small
4	09328	Case Neck Brush, Medium
5	90377	Dry Case Neck Lubricant



TRIM PRO 3-WAY CUTTER

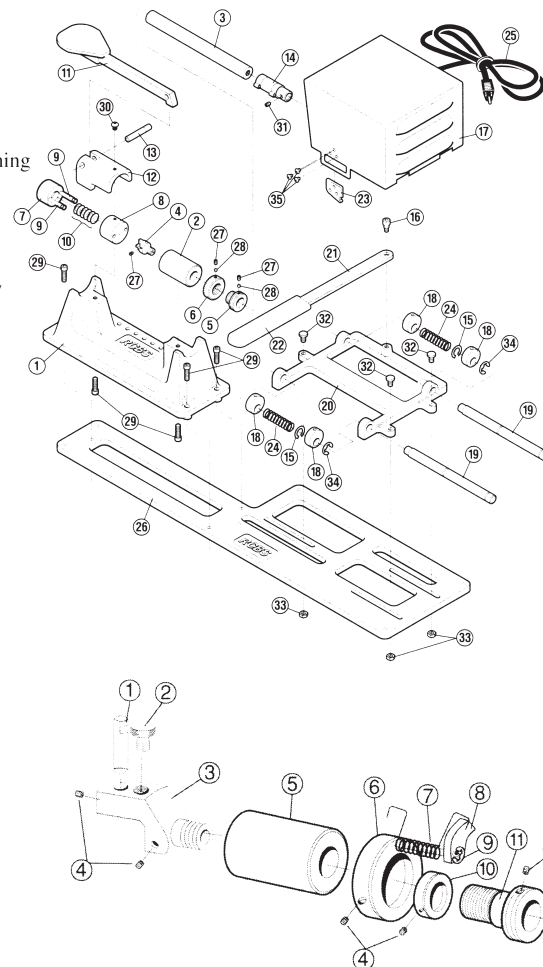
Key	Part #	Description
1	786188	Adjustment Screw
2	786187	Chamfering Tool
3	786186	Cutter Head
4	09409	Setscrew 8-32 x 1/8 (3)
5	786190	Deburring Pilot .22
5	786191	Deburring Pilot 6mm
5	786192	Deburring Pilot .25
5	786193	Deburring Pilot 6.5mm
5	786194	Deburring Pilot .270
5	786195	Deburring Pilot 7mm
5	786196	Deburring Pilot .30
6	786185	Cutter
7	87156	Setscrew 6-32 x 3/8
❖	09534	Hex Key Wrench 5/64

❖ Not shown.



90350 TRIM PRO POWER CASE TRIMMER

Key	Part #	Description
1	786100	Trim Pro Base
2	98938	RCT Cutter Guide
3	09405	RCT Cutter Shaft
4	09406	RCT Cutter
5	09407	RCT Adjustment Bushing
6	09408	RCT Fine Adjustment Bushing
7	786101	TP Spring Holder
8	786102	TP Compression Pin
9	786103	TP Actuating Rods (2)
10	186131	TP Disc Spring (6)
11	786122	TP Handle Lever Assembly
12	786121	TP Handle Support
13	786107	TP Handle Pin
14	786176	TP Coupling Assembly
15	09143	Retaining Ring 318 Small
16	786117	TP Handle Shoulder Bolt
17	786112	TP Motor Cover
18	786113	TP Bearing (4)
19	786115	TP Rod Guide (2)
20	786135	TP Motor Base Plate
21	786116	TP Motor Handle
22	186136	TP Handle Grip
23	786118	TP Handle Stop
24	186138	TP Drive Spring
25	186139	TP Power Cord
26	186140	TP Unit Mounting Plate
27	09409	Screw, 8-32 x 1/8" (3)
28	09410	Brass Buffer (2)
29	86624	Screw, 10-32 x 5/8" (5)
30	186114	Screw, 10-32 x 3/8"
31	87030	Screw, 10-32 x 1/8"
32	186146	Screw, 10-32 x 1/2" (3)
33	09603	Hex Nut, 10-32 (3)
34	09266	Retaining Ring (2)
35	186150	Screw, 6-32 x 1/8" (3)



98860 CASE NECK TURNING TOOL

Key	Part #	Description
1	98864	Turning Tool
2	98865	Adjusting Screw
3	98863	Cutter Head
4	09409	Set Screw 8-32 x 1/8 (5)
5	98862	Cutter Guide
6	98866	Clamp Ring
7	98871	Torsion Spring
8	98868	Feed Nut 3/4-64
9	87657	Retaining E Ring
10	98872	Stop Collar
11	98867	Feed Screw
❖	98870	Feed Nut Stud
❖	09534	Hex Key Wrench 5/64

❖ Not shown.