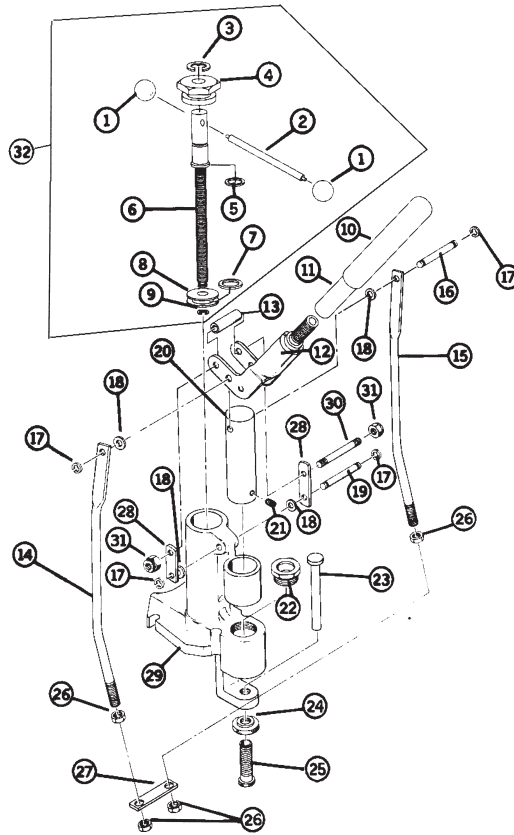


80040 LUBE-A-MATIC-2

Key	Part #	Description
1	80054	Handle knob (2)
2	80053	Lube Pressure Handle
3	09105	Retaining Ring
4	80048	Threaded Reservoir Cap
5	80055	Fiber Washer
6	80042	Lube Pressure screw
7	80051	O-Ring
8	80047	Lube Plunger
9	80052	Retaining Ring
10	09264	Handle Grip
11	80064	Metal Handle
12	80067	Handle Yoke Assembly
13	80068	Handle Yoke Spacer
14	80079	Linkage Arm, Left
15	80080	Linkage Arm, Right
16	80057	Ram Link Pin
17	80056	Retaining Ring, IRR 1000-25 (4)
18	80072	Handle Link Washer (4)
19	80058	Handle Link Pin
20	80043	Ram
21	09099	Setscrew 10/32 x 1/4 Flat Point
22	80045	Die Locking Cap
23	80085	Bullet Ejector Rod
24	80049	Bullet Ejector Rod Lock Ring
25	80044	Bullet Ejector Screw
26	80081	Jam Nut 5/16 x 18 (4)
27	80082	Bullet Ejector Plate
28	80073	Handle Link (2)
29	◆	Main Body Casting
30	80070	Handle Link Bolt
31	80071	Tri-Lock Nut 1/4 - 20 (2)
32	80046	Lube Pressure Screw Assembly
❖	80099	Die Locking Cap Wrench



◆ Not Available Separately
❖ Not shown

81100 PRO-MELT

Key	Part #	Description
1	◆	Furnace Body
2	81103	Base
3	81104	Handle
4	81107	Handle Fulcrum
5	81108	Pan Head Screw 5/40 x 1/2
6	81114	Nozzle Shut-off Pin
7	81115	Pan Head Screw 5/40 x 3/8
8	81110	Adjustment Bracket
9	09603	Hex Nut 10/32
10	81111	SHCS 10/32 x 1/4 FP
11	81109	SHCS 10/32 x 3/8
12	81116	Mould Guide Rod
13	81117	Mould Guide Collar (2)
14	09099	Hex Head Setscrew 10/32 x 1/4 FP
15	81118	Mould Guide Housing Bushing

◆ Not Available Separately

